

# Thrust Ball Bearings

Bearing No. : **NACHI 53210**

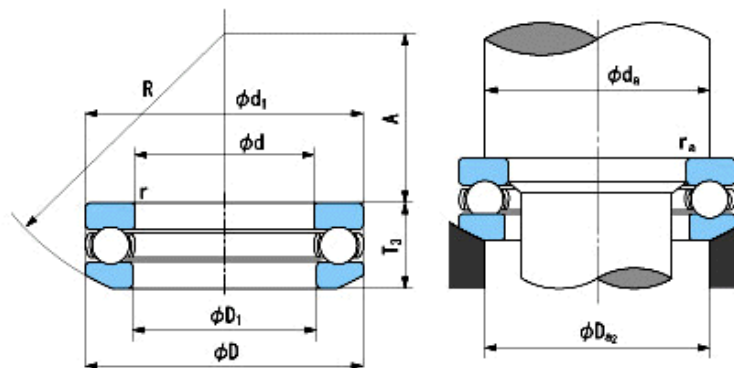
■ Bearing Type

■ Clearance

■ Tolerance Class

### Dimensions

d = 50                    0  
                              -0.012  
  
D = 78                    0  
                              -0.019  
  
T3 = 23.5  
r = 1~2.2  
(Radial Direction and Axial Direction)  
D1(min) = 52  
d1(max) = 78  
R = 64  
A = 32.5



Dimensions  
da(min) = 67  
Da2(max) = 61  
ra(max) = 1  
Mass = 0.38 kg

Basic Dynamic Load Rating Ca : **48,500** N

Basic Static Load Rating Coa : **112,000** N

Limiting Speed ;

Grease Lubrication : **2,400** min<sup>-1</sup>

Oil Lubrication : **3,600** min<sup>-1</sup>

O.D.Surface Runout with Side :

Axial Runout with Bore :

Axial Runout with Raceway :

Width Variation :

Radial Runout :

INNER RING

OUTER RING